

# 2018 Exhibit Schedule & Floor Plan



**PCNA**  
PREVENTIVE CARDIOVASCULAR  
NURSES ASSOCIATION

## Marriott Baltimore Waterfront Hotel

### Exhibit Schedule

(Tentative and Subject to Change)

#### Wednesday – April 4

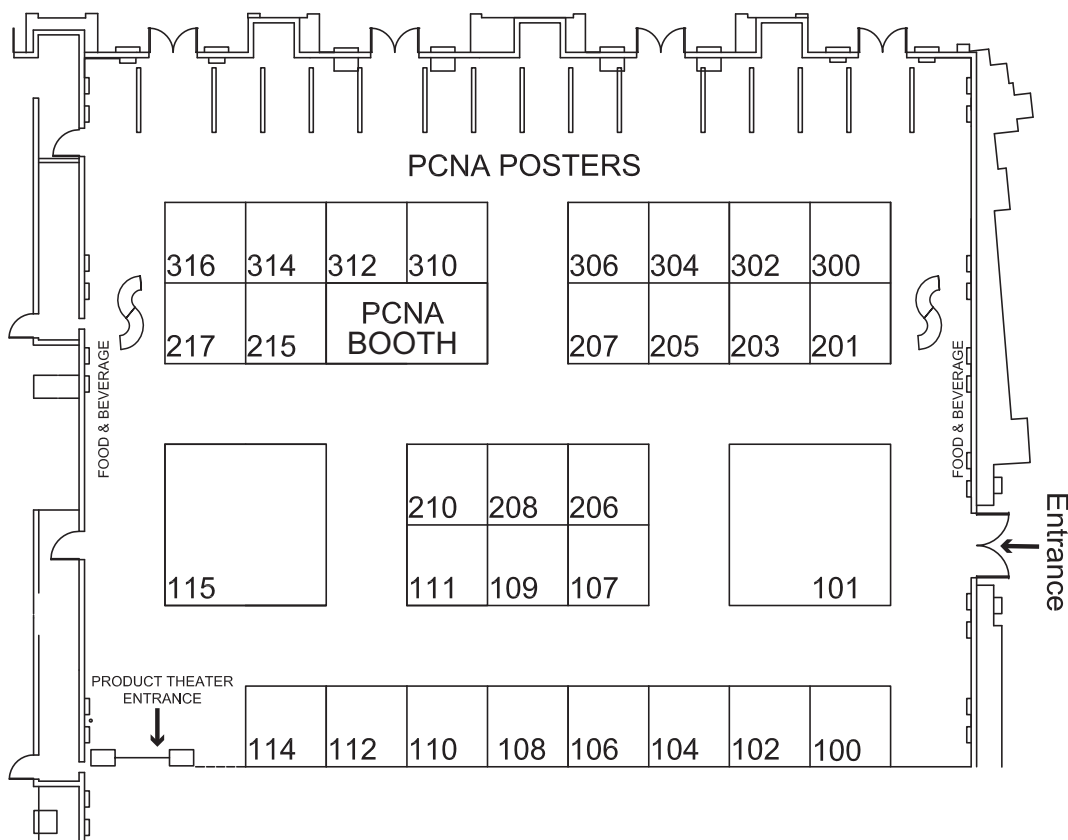
8:00 am – 5:00 pm  
Exhibitor Setup

#### Thursday – April 5

8:00 am – 10:30 am  
Exhibitor Setup  
12:15 pm – 2:30 pm  
Exhibits Open  
5:45 pm – 7:15 pm  
Exhibits Open  
Opening Reception

#### Friday – April 6

8:45 am – 9:45 am  
Exhibits Open/Break  
10:45 am – 11:45 am  
Exhibits Open/Prize Drawing  
2:15 pm – 6:00 pm  
Exhibits Dismantle



### Hall Information:

Marriott Baltimore Waterfront Hotel  
Exhibits are in Grand Ballroom/Sections VI-X  
Ceiling Height 16'-20'  
Maximum Island height is 16'  
Booths are 10' x 10'  
The Exhibit Hall is carpeted

### Exhibit Management:

Jack Edelman, Exhibit Manager  
jack.edelman@ajj.com

Lauren McKeown, Marketing Coordinator  
lauren.mckeown@ajj.com

Anthony J. Jannetti, Inc.  
East Holly Avenue/Box 56  
Pitman, NJ 08071-0056  
856-256-2432  
Fax 856-589-7463

### 2018 Booth Fees

EXHIBIT TYPE	BY 9/15/2017	BY 11/1/2017	AFTER 12/31/2017
10' x 10' Booth	\$1,500	\$1,750	\$2,000
10' x 20' Booth	\$3,000	\$3,500	\$4,000
20' x 20' Island Booth	\$4,500	\$5,500	\$6,500
10'x10' Non-Profit Booth	\$1,000	\$1,250	\$1,500
Table Top Non-Profit Display	\$500	\$750	\$1,000